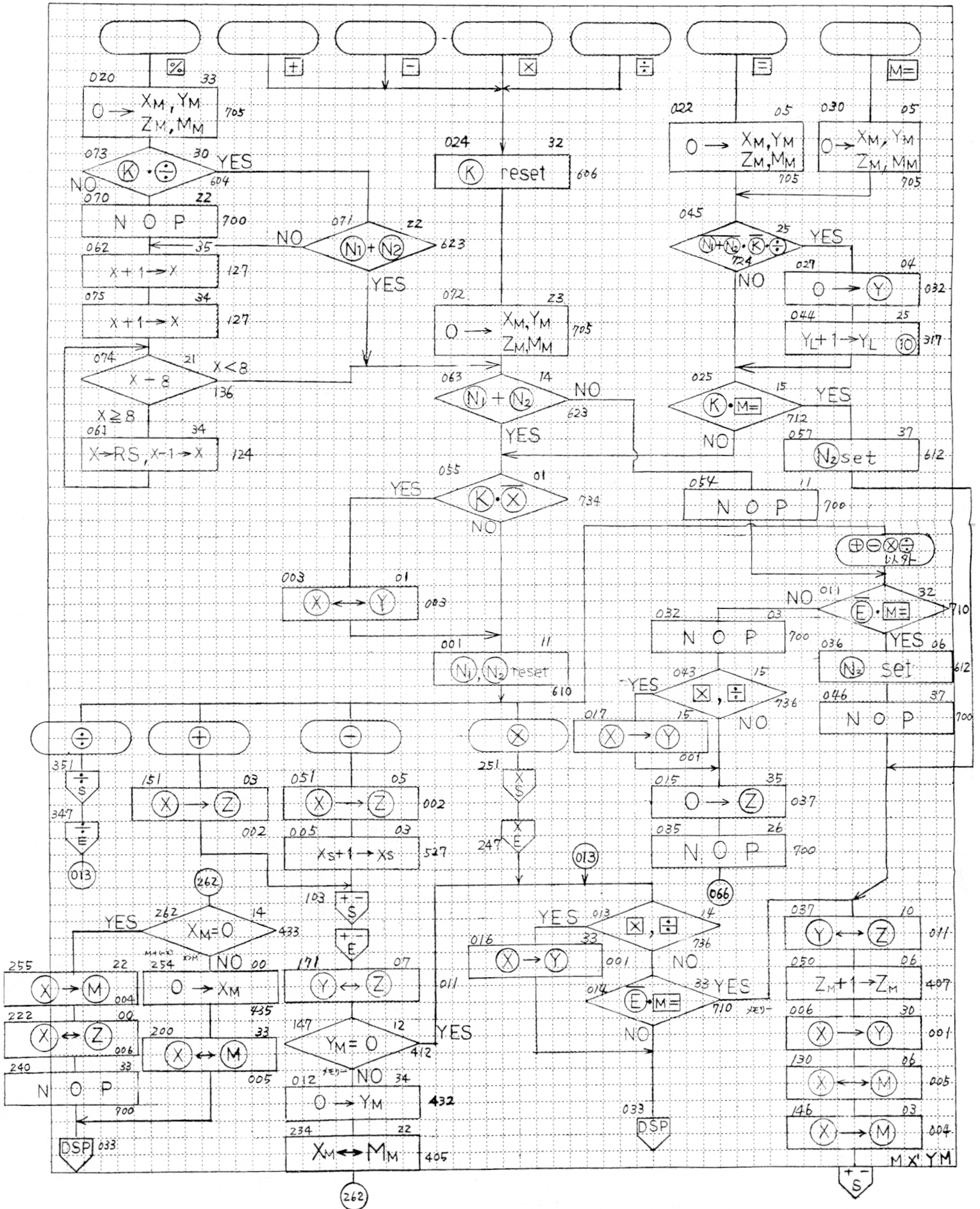
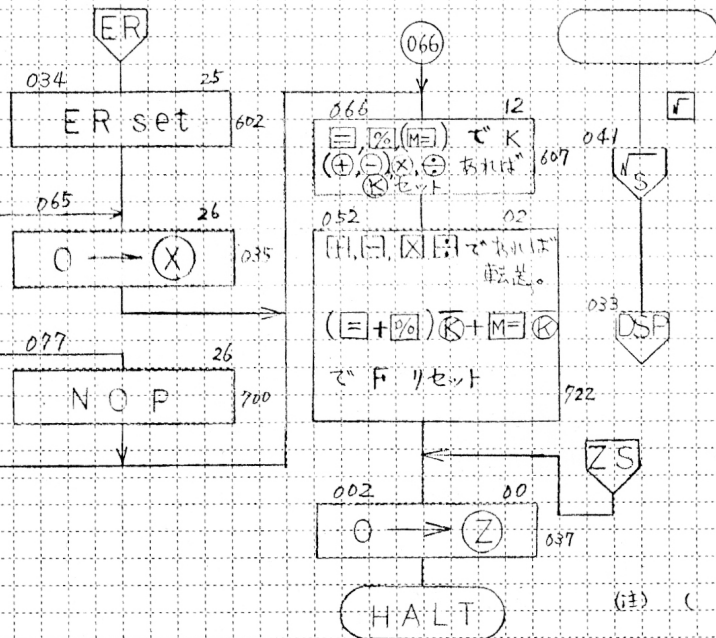
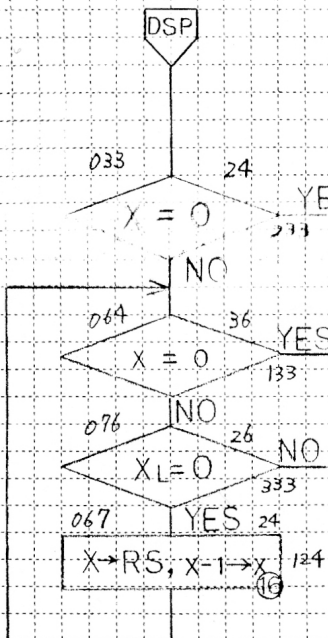
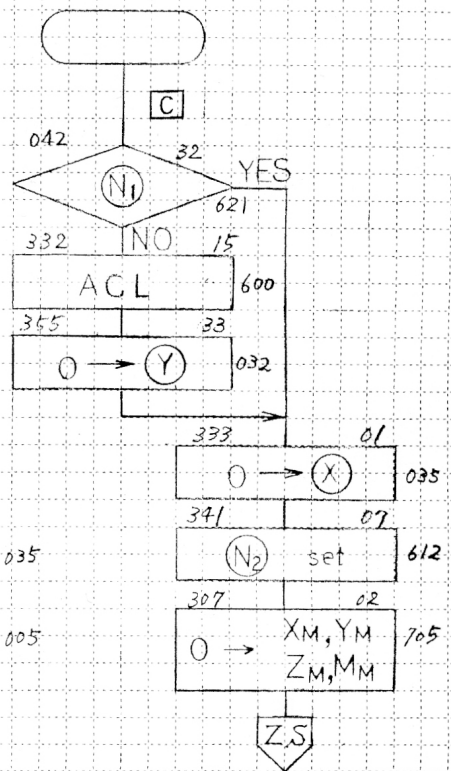
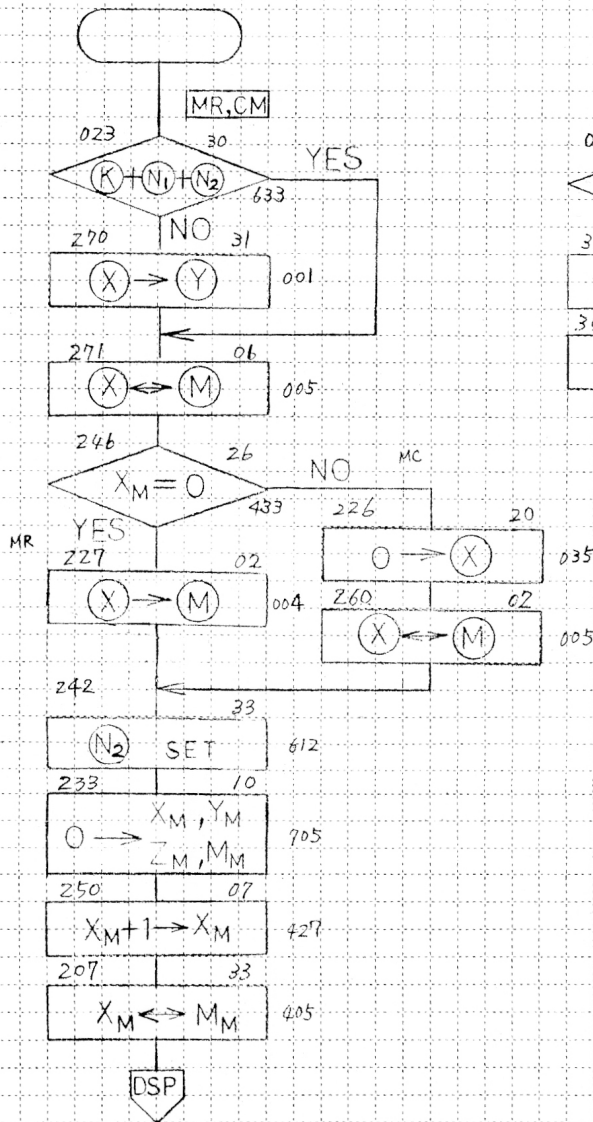
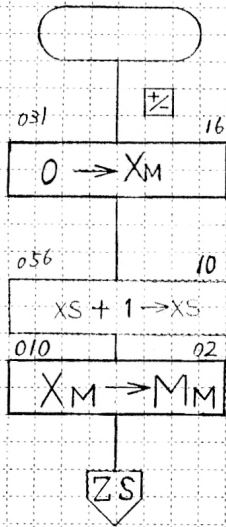


FUNCTION KEY (1)

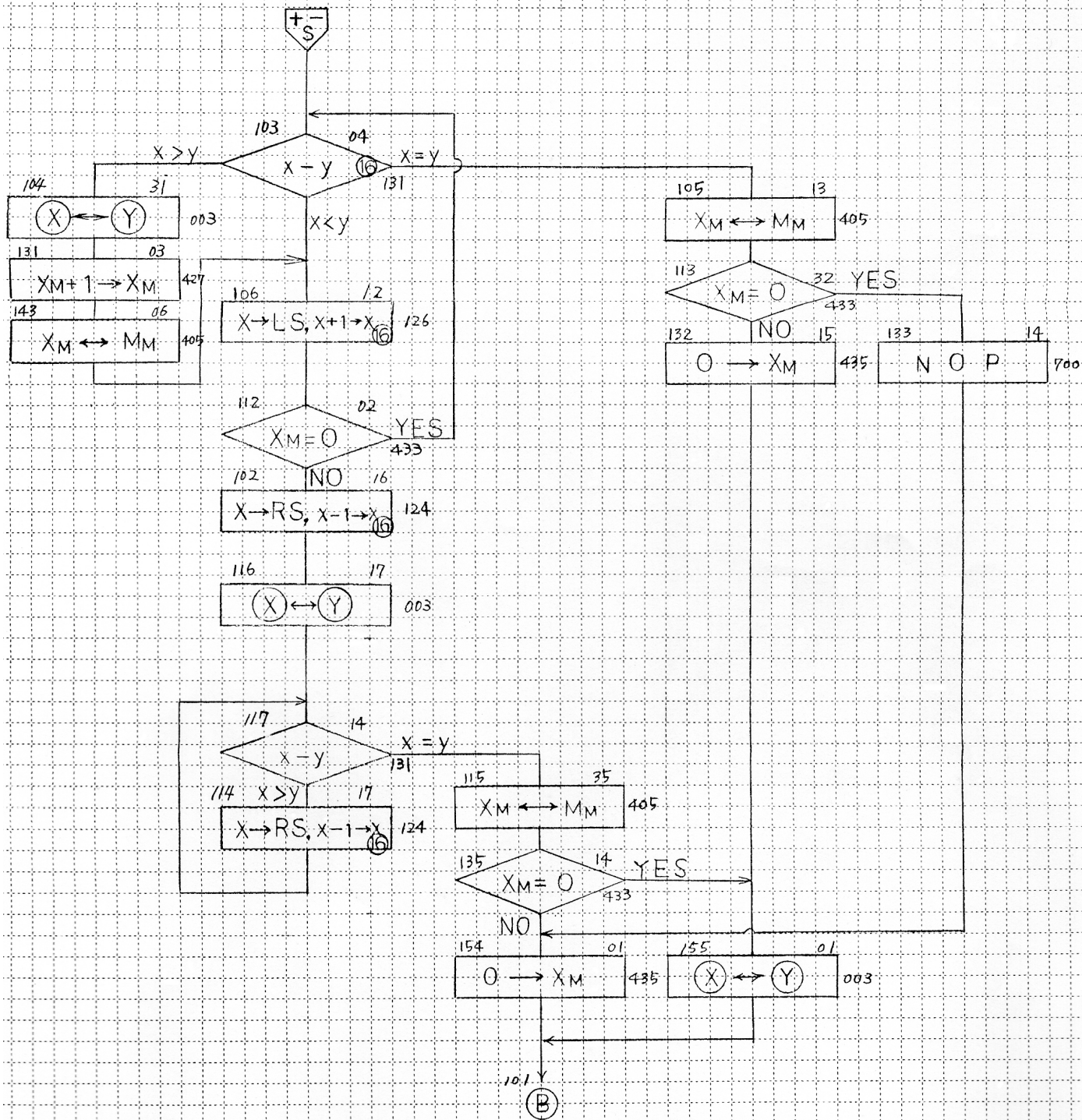


FUNCTION KEY (2)

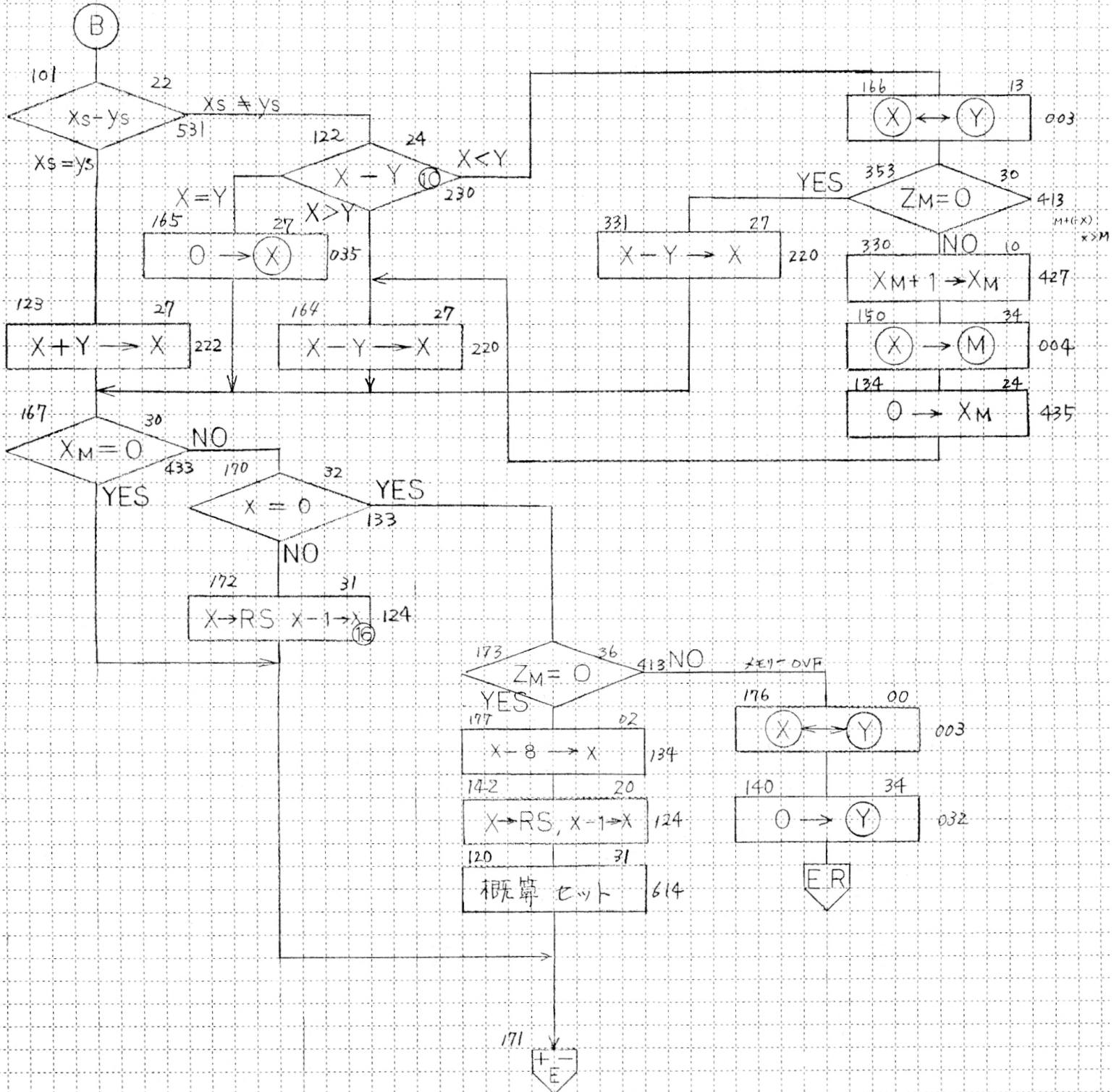


(注) () は標準仕様

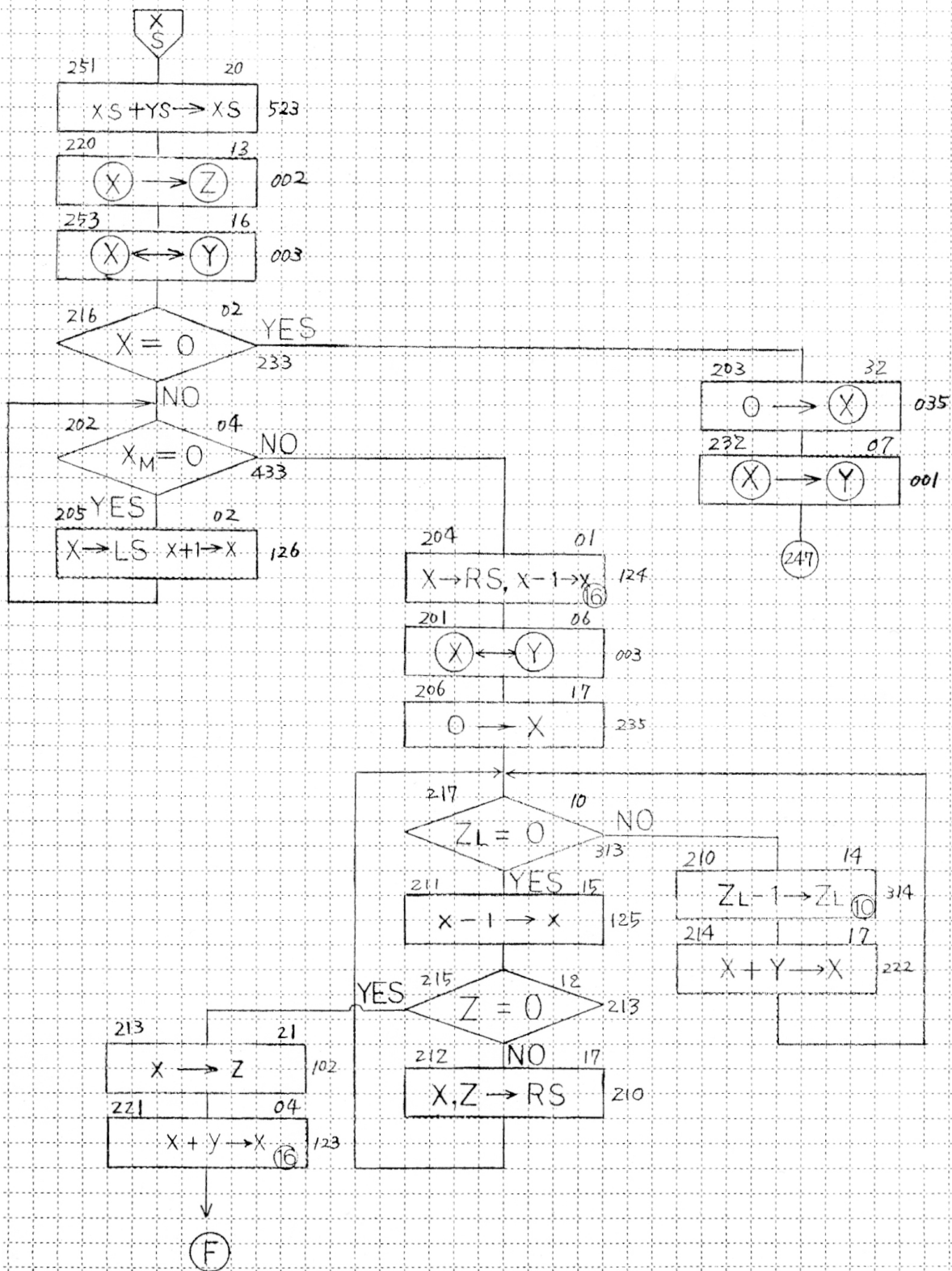
ADDITION & SUBTRACTION (1)



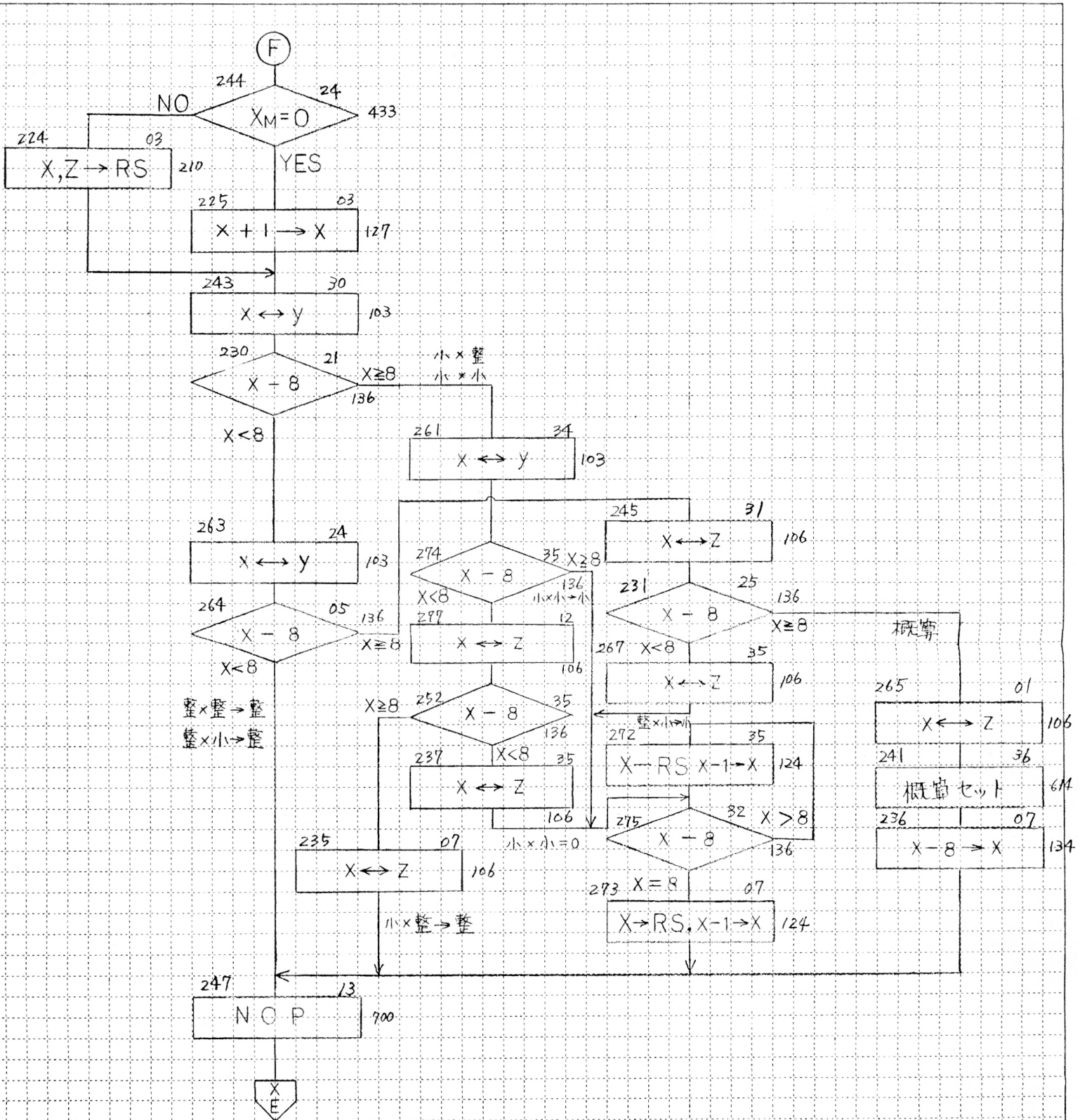
ADDITION & SUBTRACTION (2)



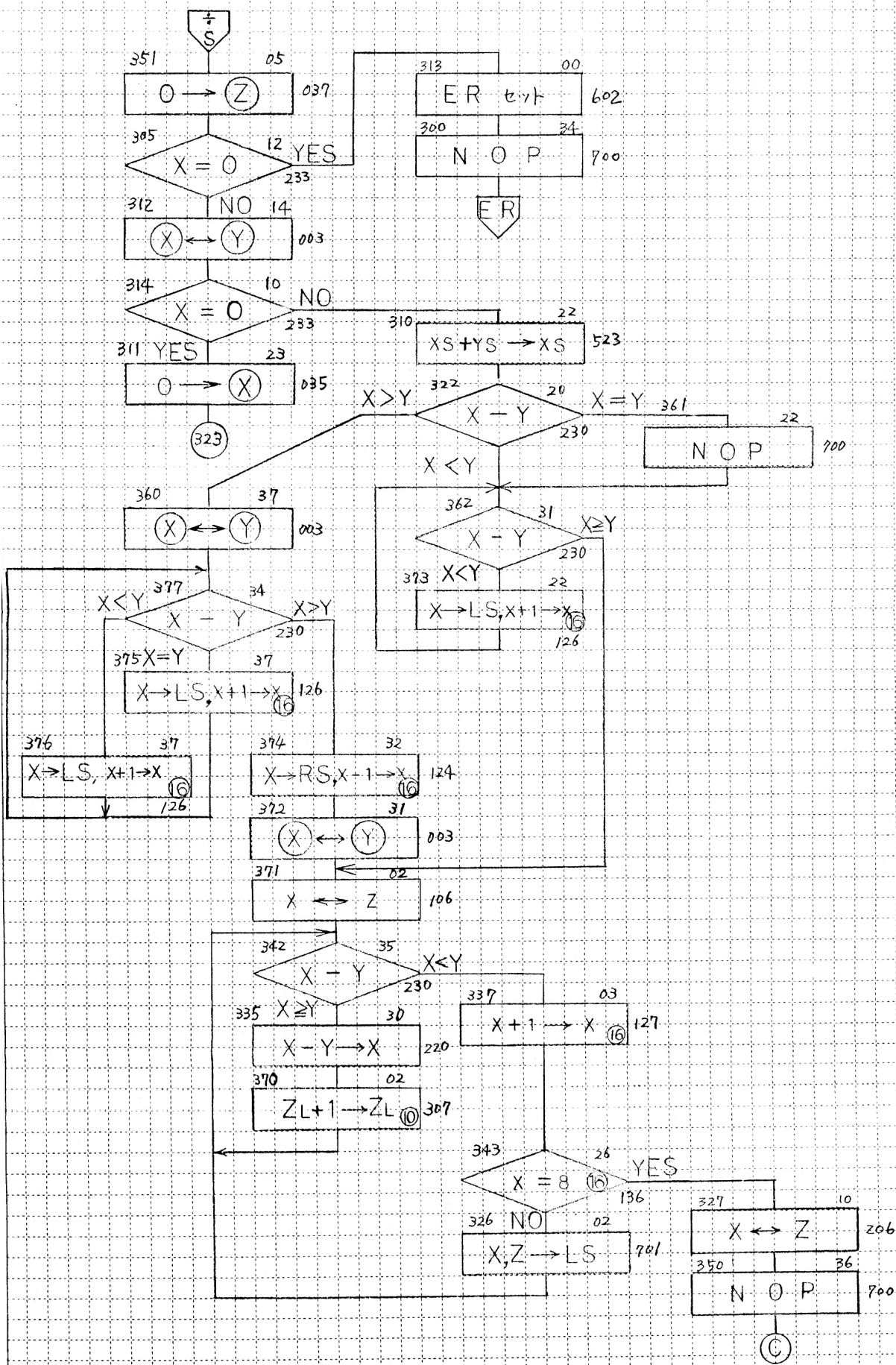
MULTIPLICATION (1)

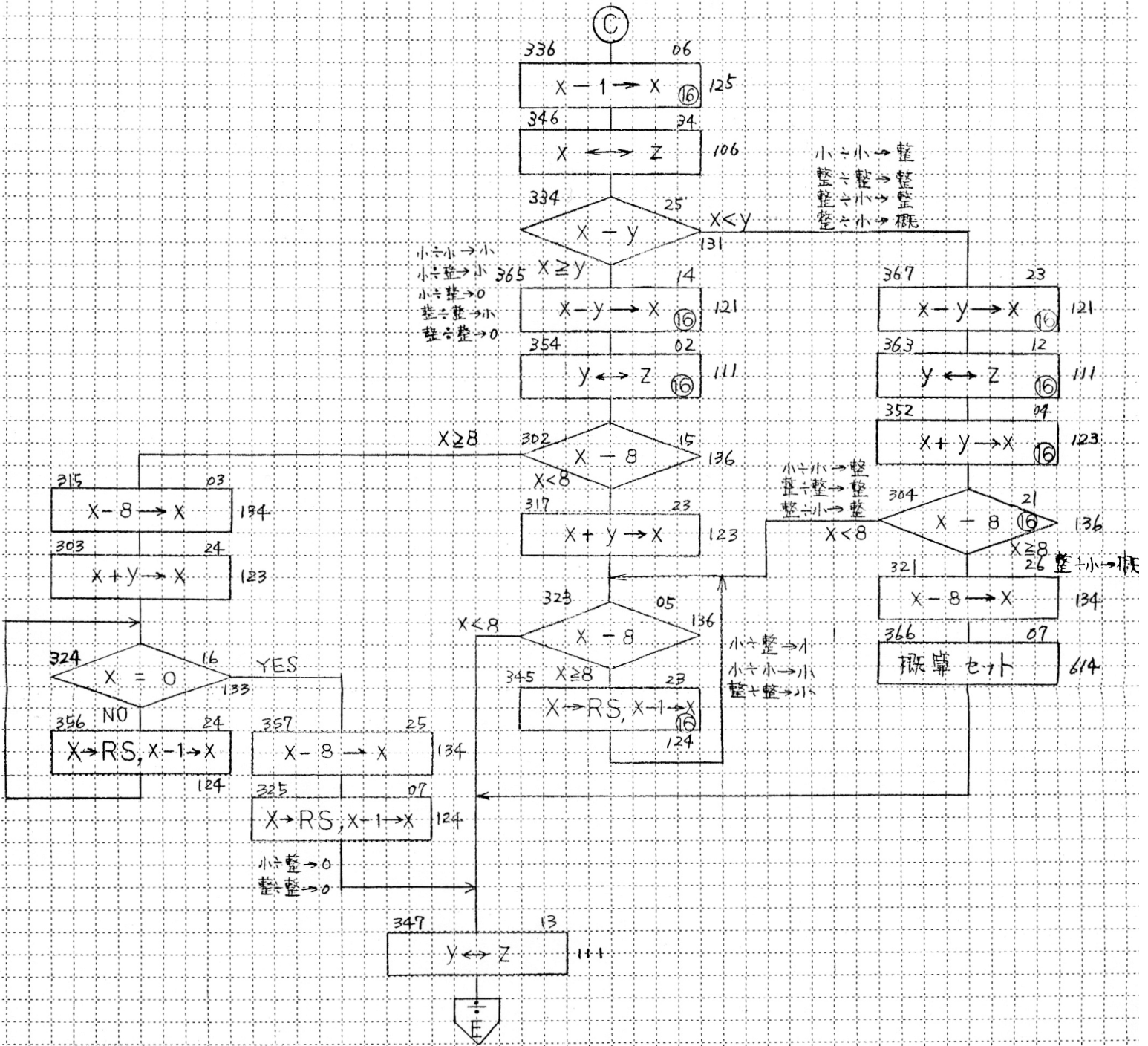


MULTIPLICATION (2)

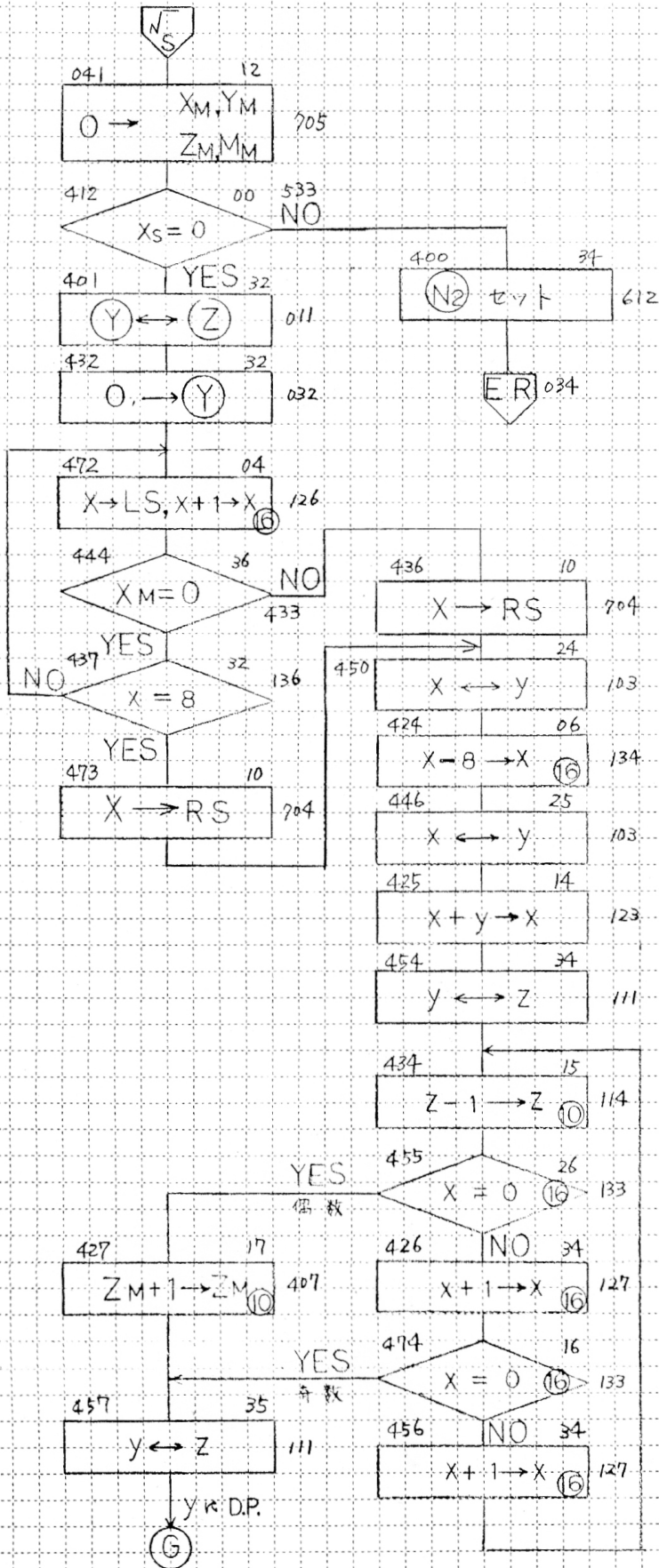


DIVISION (1)





SQUARE ROOT (1)



SQUARE ROOT (2)

